



# Deluxe

Framed sliding shower door  
**5960-46**

### Features

- Framed, 1/8" (3 mm) thick tempered glass.
- Towel bar.
- Tempered glass ensures enhanced safety and durability.

### Material

- Anodized aluminum prevents rust and corrosion.

### Installation

- Out-of-plumb adjustability simplifies installation.
- Not for use in hospitality.
- For residential use only.

### Recommended Products/Accessories

K-23723 Faucet cleaner

### Included Components

Additional Components:

Hardware kit



### Codes/Standards

ANSI Z97.1

CPSC 16CFR 1201


### STERLING® Warranty - Bath and Shower Doors

See website for detailed warranty information.

### Available Colors/Finishes

*Color tiles intended for reference only.*

Color	Code	Description
-------	------	-------------

	S	Silver
---	---	--------

### Available Glass Options

Code	Description
------	-------------

	Pebbled
--	---------

	Rain
--	------

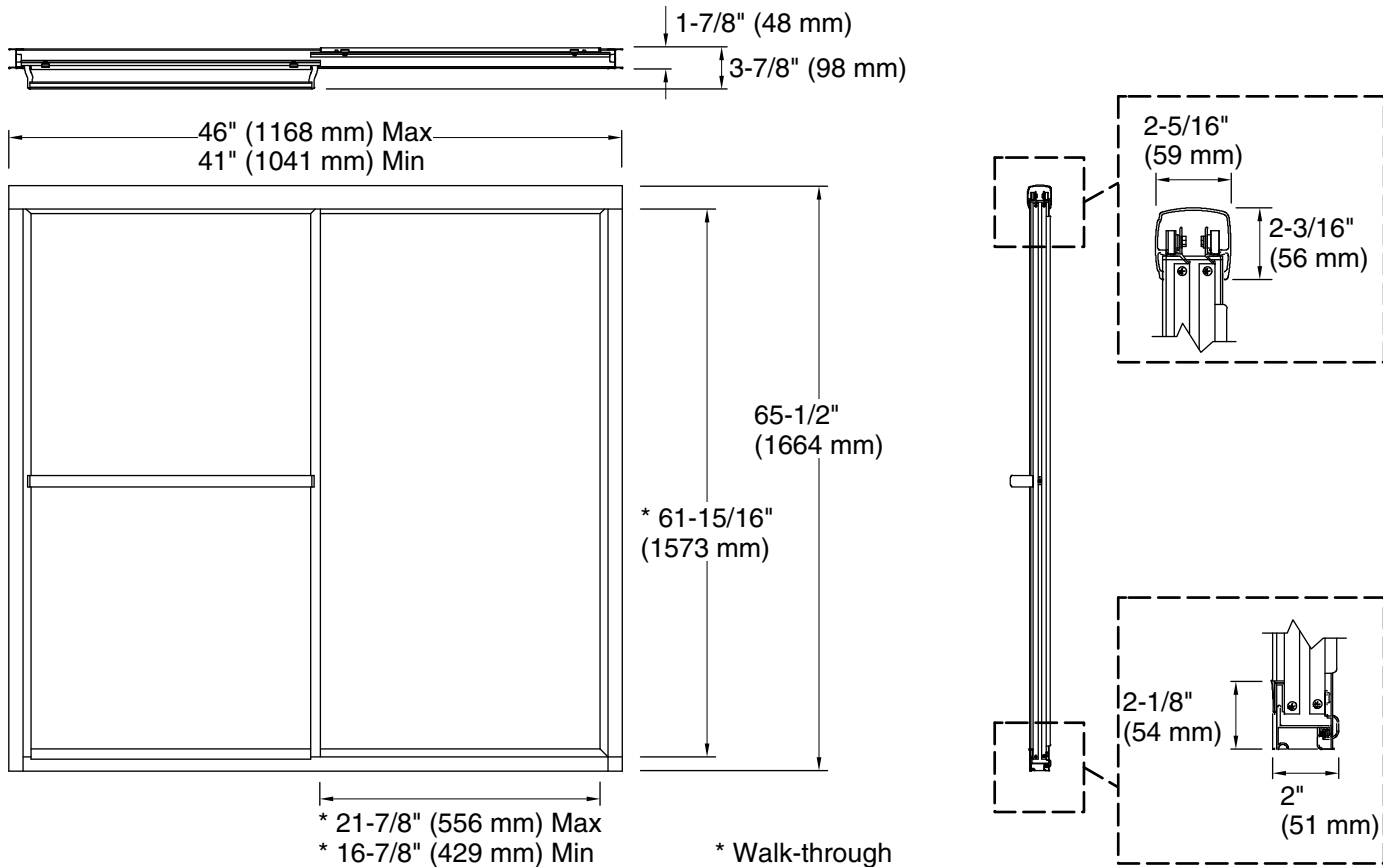
---

1-800-STERLING (1-800-783-7546)

Kohler Co. reserves the right to make revisions without notice to product specifications.

For the most current Specification Sheet, go to [www.sterlingplumbing.com](http://www.sterlingplumbing.com).

10-9-2022 03:59 - US//CA



**Technical Information**

All product dimensions are nominal.

Installation type: For shower base installation

Opening Width - Min: 41" (1041 mm)

Opening Width - Max: 46" (1168 mm)

Walk-through - Min: 16-7/8" (429 mm)

Walk-through - Max: 21-7/8" (556 mm)

Base-To-Wall Radius - Max: 1/2" (13 mm)

Glass thickness: 1/8" (3 mm)

**Notes**

Install this product according to the installation guide.

The vertical opening should be a minimum of 66-15/16" (1700 mm) to allow for installation clearance.